

LED Industrial Series High Bay



ALTECH

Contact Us:

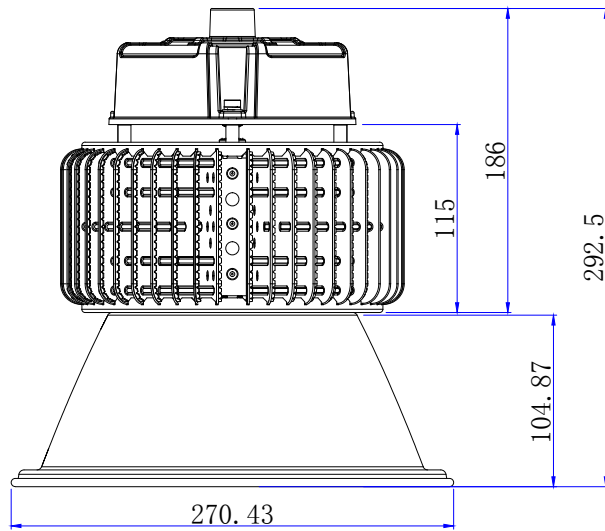
7057 Marcelle St.
Paramount, CA 90723
800-640-0386
www.altechefficiency.com
sales@altechefficiency.com

Specifications

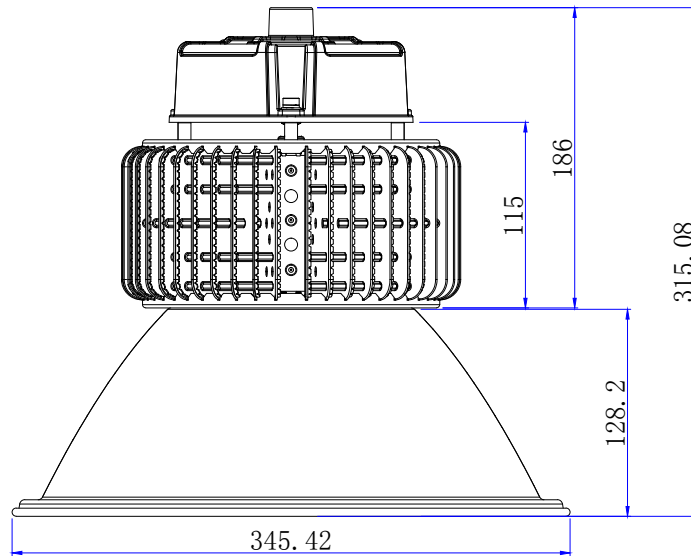
Model Number	AE-L-HBIS-150
DLC #	U-IHB-150
DLC Partner	Ultron Industries
Input Wattage	150W
Replacement Wattage	600W
Input Voltage Range	120-277V
Delivered Lumens	17500 lm
Lumen Efficiency	116LM/W
Color Rendering Index (CRI)	70+
Color Temperature (Kelvin)	3000K-5700K
Beam Angle	100° / 60° / 25°
Power Factor	0.99
Frequency	50/60Hz
MAX THD (%)	15
Min. Ambient Temp	-30.0°F / -34.4°C
Max. Ambient Temp	130.0°F / 48.9°C
IP Rating	IP44
Dimming Compatible	3 in 1 dimming function (1~10Vdc or PWM signal or resistance)
Product Weight	15.0LB / 6.8KG
Product Height (100°)	10.3" / 261mm
Product Diameter (100°)	14.2" / 361mm
Lens	Aluminum and Acrylic
Materials	Die Cast Aluminum
Finish	Black (Default)
LM70 Life Time	100,000 Hours
UL/cUL	E481056
DesignLights Consortium®	YES
CE	YES
FCC	YES
Warranty	5 Years

Dimensions - 150W

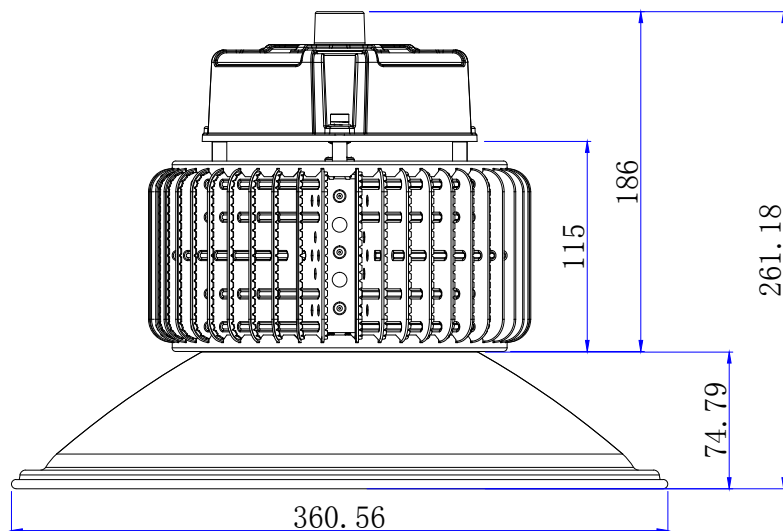
25° Reflector



60° Reflector



100° Reflector



Note:

Please read this entire manual to fully understand and safely use the luminaire. The products can be used at the voltage of 100-277V AC, 50/60HZ, suitable for indoor and outdoor, moisture proof and dust proof. Specifications are subject to change without notice. Please visit www.altechefficiency.com for the most recent product information.

Unpacking:

1. Unpack and carefully examine the product.
2. Report any damage and save all packing materials if any part(s) were damaged during shipping.
3. Do not attempt to use the fixture if it is damaged.

Before You install:

1. Before installing any light fixtures, read and understand all cautions, warnings, instructions and product labels. Failure to do so can result in injury and/or void the warranty.
2. CONSULT A QUALIFIED ELECTRICIAN TO ENSURE CORRECT BRANCH CIRCUIT CONDUCTOR.
3. The product should be installed and operated by a qualified electrician or technician in accordance with relevant local codes.
4. Risk of electric shock. Ensure that main power source is off when wiring or soldering the sections of the product.

Maintenance:

1. Disconnect the product from the power supply prior to cleaning.
2. Use a dry or slightly moistened cloth for cleaning.
3. Never use any chemicals or abrasive materials for cleaning.

Installation Instructions:

1. Choose an appropriate and secure installation area.
2. Secure reflector to fixture by aligning the holes on the reflector with the mounting posts and twist reflector until locked with a click.
3. Hang high bay with the hook and use a chain (not provided) if necessary to adjust the height of the fixture.
4. Connect the input and ground wires of the fixture to the power supply. **Brown is live. Blue is neutral. Green/Yellow is ground.**
5. This fixture is designed for years with minimum care. For optimum performance, periodically clean the lens with a mild, non abrasive glass cleaner and soft cloth. DO NOT use solvents or cleaners containing abrasive agents. When cleaning the fixture, make sure you have the power turned off and do not spray liquid cleaner directly onto the LED, socket or wiring.