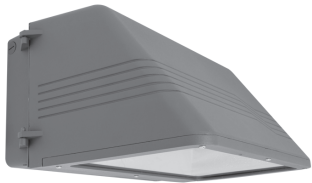


Large Cutoff Wall Pack

HPS / 250 watts

MH / 250 watts

PS / 320 watts



Application

Ideal for lighting parking facilities, entry ways, perimeters, pathways, and underpasses

Features

- Die-cast aluminum housing with hinged door frame (lamp included)
- Textured bronze finish with Borosilicate molded glass lens
- 1/2" conduit access, sides, top, or rear knockouts
- Dark Sky compliant, photocell adaptable, and UL listed for wet locations

ORDERING INFORMATION

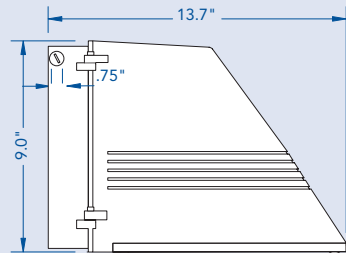
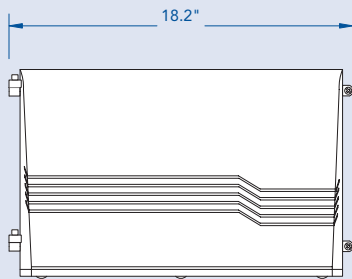
Catalog #	Watts	Volts	HI Ballast Model #	Ballast	ANSI	Lamp Part #
LCWP-250-HPS-4T	250 HPS	4T	S0250-71C-211-DE	CWA	S50	LU250
LCWP-250-HPS-5T	250 HPS	5T	S0250-81C-211-DE	CWA	S50	LU250
LCWP-250-HPS-480	250 HPS	480	S0250-11C-211-DE	CWA	S50	LU250
LCWP-250-MH-4T	250 MH	4T	M0250-71C-211-D	CWA	M58	MH250/U
LCWP-250-MH-5T	250 MH	5T	M0250-81C-211-D	CWA	M58	MH250/U
LCWP-320-PS-4T	320 PS	4T	M0320-71C-611-DE	PS-CWA	M154	MH320/BU/PS

ACCESSORIES

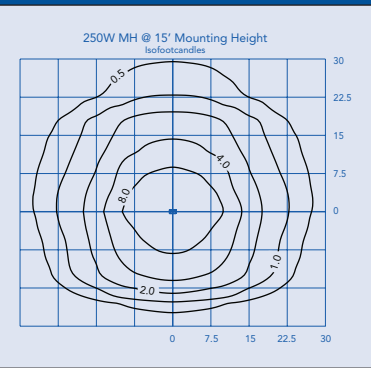
Catalog #	Description
BPC120	Button photocell - 120v
BPC208/277	Button photocell - 208 or 277v

• Specifications are subject to change without notice.

DIMENSIONS



PHOTOMETRICS



WALL PACKS

Lighting for life.

HOWARD
LIGHTING PRODUCTS