

HPS / 50 - 150 watts

MH / 70 - 175 watts



Application

Great for lighting parking facilities, entry ways, perimeters, pathways, and underpasses

Features

- Die-cast aluminum housing with hinged door frame (lamp included)
- Textured bronze finish with Borosilicate molded glass lens
- 1/2" conduit access, sides, top, or rear knockouts
- Photocell adaptable and UL listed for wet locations

ORDERING INFORMATION

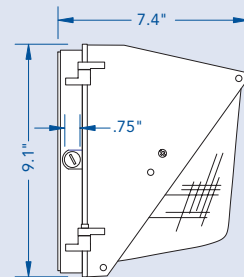
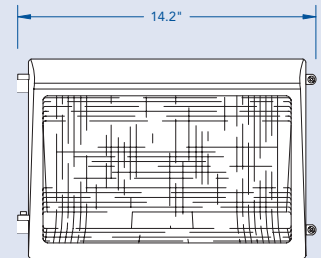
Catalog #	Watts	Volts	HI Ballast Model #	Ballast	ANSI	Lamp Part #
MWP-50-HPS-120	50 HPS	120	S0050-02C-111-E	R-NPF	S68	LU50/MED
MWP-70-HPS-120	70 HPS	120	S0070-02C-111-E	R-NPF	S62	LU70/MED
MWP-70-HPS-4T	70 HPS	4T	S0070-71C-511-DE	HX-HPF	S62	LU70/MED
MWP-100-HPS-120	100 HPS	120	S0100-02C-111-E	R-NPF	S54	LU100/MED
MWP-100-HPS-4T	100 HPS	4T	S0100-71C-511-DE	HX-HPF	S54	LU100/MED
MWP-150-HPS-120	150 HPS	120	S0150-02C-111-E	R-NPF	S55	LU150/55/MED
MWP-150-HPS-4T	150 HPS	4T	S0150-71C-511-DE	HX-HPF	S55	LU150/55/MED
MWP-70-MH-4T	70 MH	4T	M0070-71C-511-DE	HX-HPF	M98	MH70/U/MED
MWP-100-MH-2T	100 MH	2T	M0100-23C-511-DE	HX-HPF	M90	MH100/U/MED
MWP-100-MH-4T	100 MH	4T	M0100-71C-511-DE	HX-HPF	M90	MH100/U/MED
MWP-150-MH-4T	150 MH	4T	M0150-71C-511-DE	HX-HPF	M102	MH150/U/MED
MWP-175-MH-4T	175 MH	4T	M0175-71C-213-C	CWA	M57	MH175/U/MED
MWP-175-MH-5T	175 MH	5T	M0175-81C-211-C	CWA	M57	MH175/U/MED

ACCESSORIES

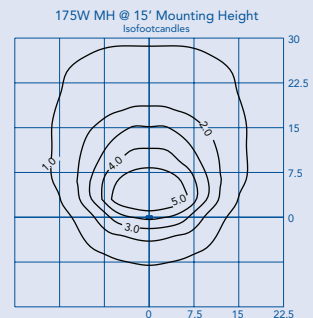
Catalog #	Description
MWPWG	Wire guard with stainless steel construction
MWPFC	Full cutoff with textured bronze finish
MWPSC	Side cutoff with textured bronze finish
MWPVG	Clear polycarbonate vandal guard
BPC120	Button photocell - 120v
BPC208/277	Button photocell - 208 or 277v

• Specifications are subject to change without notice.

DIMENSIONS



PHOTOMETRICS



Lighting for life.

HOWARD
LIGHTING PRODUCTS