

TORK PHOTOELECTRIC CONTROLS - INSTANT RESPONSE

TURN-LOCK MOUNTING

2005/2007/2008 SERIES

APPLICATIONS

For street, highway and other luminaires equipped with locking type receptacles where instant response is required.



FEATURES

- Complies with the latest ANSI C136.10 Standards.
- Electromagnetic relay is re-engineered for state-of-the-art reliability.

SPECIFICATIONS

Mounting: Units and locking type prongs meet requirements of ANSI C136.10-1988.

Photocell: Cadmium sulphide.

Enclosure: Polypropylene housings offer high impact strength, excellent ultraviolet resistance, and flame retardance.

Color-Coded Domes: Meet ANSI designations as follows:

Gray	105-130VAC
Blue	105-285 VAC
Yellow	480 VAC

Relay: Unique unitized design assures precise alignment of the relay contact gap and armature gap, thereby reducing contact bounce, chatter, and hum.

Locking Prongs: Solid brass for maximum corrosion resistance and electrical dependability.

Surge Arrestor: Open-type expulsion design. 2.5 KV spark over minimum 5000A follow-through capability.

Window: UV stabilized, clear acrylic.

Base: Heat resistant thermoplastic with moisture resistant gasket.

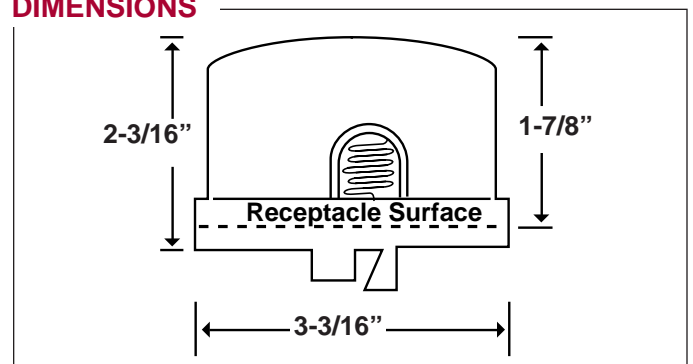
Turn ON/Turn OFF: Turn-ON is 1 to 3 fc. Turn-OFF to turn-ON ratio is 3 average.

Temperature Range: -65° to +158°F (-55° to +70°C)

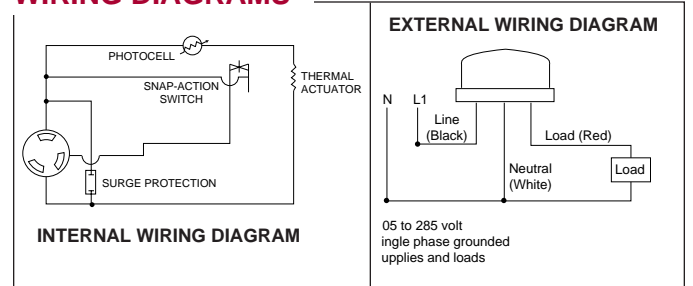


Model 2007

DIMENSIONS



WIRING DIAGRAMS



ORDERING INFORMATION

Model	Voltage - 50/60 Hz	Rating		Cell Size
		Tungsten	Ballast	
2005	105-130	1000W	1800 VA	1"
2007	105-285	1000W	1800 VA	1"
2008 <small>not UL or CSA</small>	400-550	1000W	1800 VA	1"
5500 Shorting Cap (replaces Model 2500) – For use with all voltages				