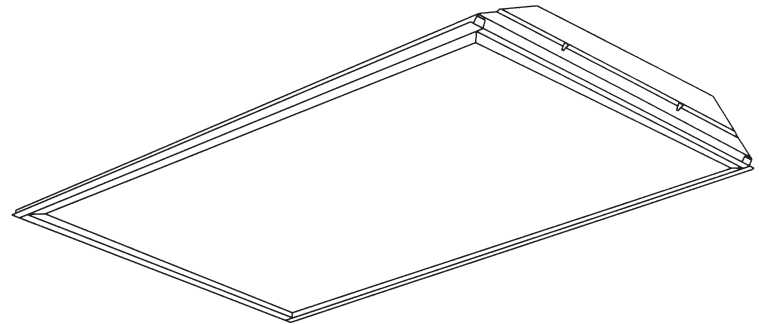
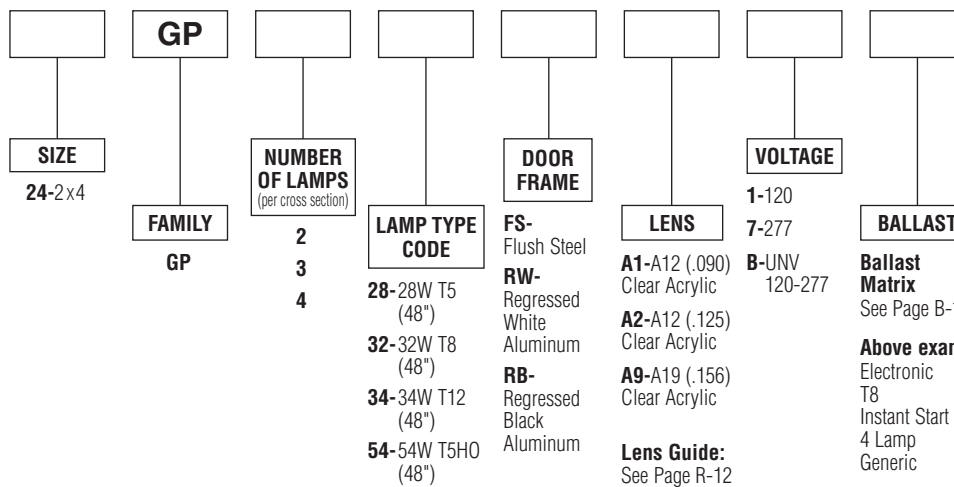


# Premium Grid 2 x 4 Troffer (GP)



## ORDERING INFORMATION

Catalog Number: Example: 24GP432FSA11K4Y



**JP Note:**  
JP at end of catalog number signifies Job Pack, however, if other options are included on fixtures, such as Flex, ELS, etc., consult factory for correct logic

**Note:** To include Generic Installed Lamps See Page B-2  
Consult factory for Vendor Specific Lamps

## PRODUCT FEATURES

- Mitered door frame includes unique light-blocking construction which eliminates any need for gasketing or baffles.
- One-piece ribbed unitized housing with interlocking corners maintains structural integrity.
- Spring loaded cam latches firmly secure frame on either side.
- Easy lamping.
- All lamps can be individually installed or removed in any order.
- All sides are turned in and hemmed for safe handling and installation.
- Built-in seismic tabs. No need to purchase separate clips.
- UL-listed twin knockout access plates.
- Captive-bolt ballast mounting.
- Four corner tie points for safety wire support when required.
- Ultra high efficiency with a 83% minimum.
- 3" shallow design.
- Hemmed door frame provides extra rigidity and no sharp edges.
- Integral "T" hinges.
- Flange Kit – FK92X4R-DB.

**OPTIONS**  
Options List See Page R-13  
Suffix catalog number with Option Code

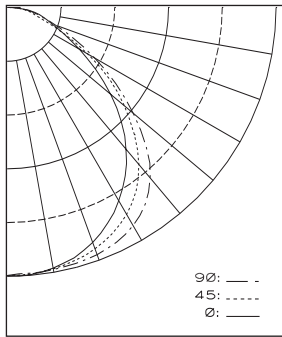
## PRODUCT AVAILABILITY

NOMINAL SIZE	FAMILY	NUMBER OF LAMPS (per cross section)	LAMP TYPE CODE	HEIGHT
2 x 4	GP	2	28, 32, 34, 54	3"
		3	28, 32, 34, 54	
		4	28, 32, 34, 54	

# R-1

# Premium Grid 2 x 4 Troffer (GP)

## Three-Lamp 2 x 4 Photometric Data



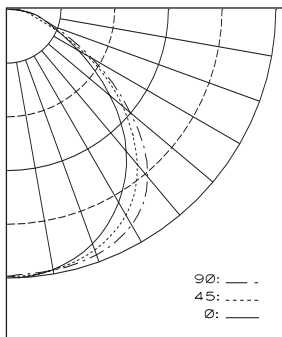
### Coefficients of Utilization

Floor Cavity Reflectance 0.20

Room Cavity Ratio	RC RW	80%			50%			10%		
		70	50	30	10	50	30	10	50	30
1	93	89	85	82	83	81	78	80	78	76
2	85	78	73	68	74	69	66	71	67	64
3	78	69	63	57	65	60	56	63	59	55
4	71	62	54	49	58	53	48	56	51	47
5	66	55	48	42	53	46	42	51	45	41
6	61	50	42	37	48	41	37	46	41	36
7	56	45	38	33	43	37	33	42	37	32
8	53	41	34	29	40	34	29	39	33	29
9	49	38	31	27	37	31	26	36	30	26
10	46	35	28	24	34	28	24	33	28	24

Fixture Efficiency = 85%

## Four-Lamp 2 x 4 Photometric Data



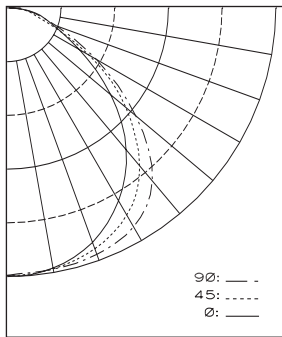
### Coefficients of Utilization

Floor Cavity Reflectance 0.20

Room Cavity Ratio	RC RW	80%			50%			10%		
		70	50	30	10	50	30	10	50	30
1	91	87	83	80	81	79	77	78	76	74
2	83	76	71	67	72	68	64	69	66	63
3	76	68	61	56	64	59	55	62	57	54
4	70	60	53	48	57	51	47	55	50	46
5	64	54	47	42	51	45	41	50	45	40
6	60	49	42	36	47	40	36	45	40	36
7	55	44	37	32	42	36	32	41	36	32
8	51	41	34	29	39	33	29	38	32	28
9	48	37	31	26	36	30	26	35	30	26
10	45	34	28	24	33	27	23	32	27	23

Fixture Efficiency = 83%

## Two-Lamp 2 x 4 Photometric Data



### Coefficients of Utilization

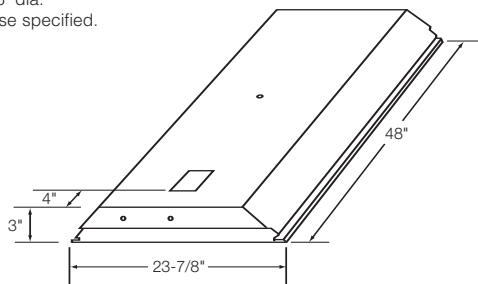
Floor Cavity Reflectance 0.20

Room Cavity Ratio	RC RW	80%			50%			10%		
		70	50	30	10	50	30	10	50	30
1	95	91	88	84	86	83	80	82	80	78
2	87	80	75	70	76	71	67	73	69	66
3	80	71	64	59	67	62	57	65	60	56
4	73	63	56	50	60	54	49	58	53	48
5	67	57	49	43	54	48	43	52	47	42
6	62	51	44	38	49	42	38	47	42	37
7	58	46	39	34	44	38	33	43	37	33
8	54	42	35	30	41	34	30	40	34	30
9	50	39	32	27	37	31	27	36	31	27
10	47	36	29	25	35	29	24	34	28	24

Fixture Efficiency = 87%

## DIMENSIONS

All KOs are 7/8" dia. unless otherwise specified.



Dimensions and specifications subject to change without notice.

## SPECIFICATIONS

Embossed housing/end combination is die-formed of cold rolled steel and includes interlocking corners to maintain structural integrity. Baked white enamel finish provides a minimum reflectance factor of 85%. Lens is prismatic pattern 12 virgin acrylic. Mitered door frame which hinges from either side is held in place with spring loaded cam latches. Sides are hemmed for additional strength and safety in installation and handling. All units are equipped with high power factor Class "P" ETL-CBM ballasts (120 volt 60 Hz is standard). Fixtures are UL-listed and bear union and UL labels.