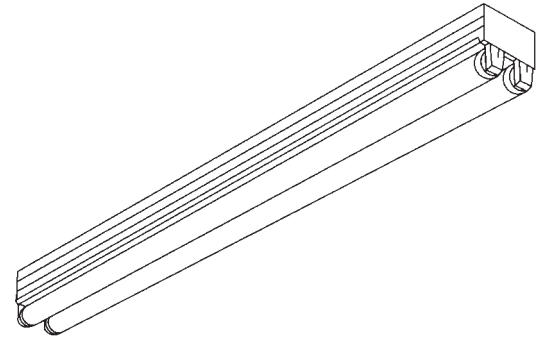
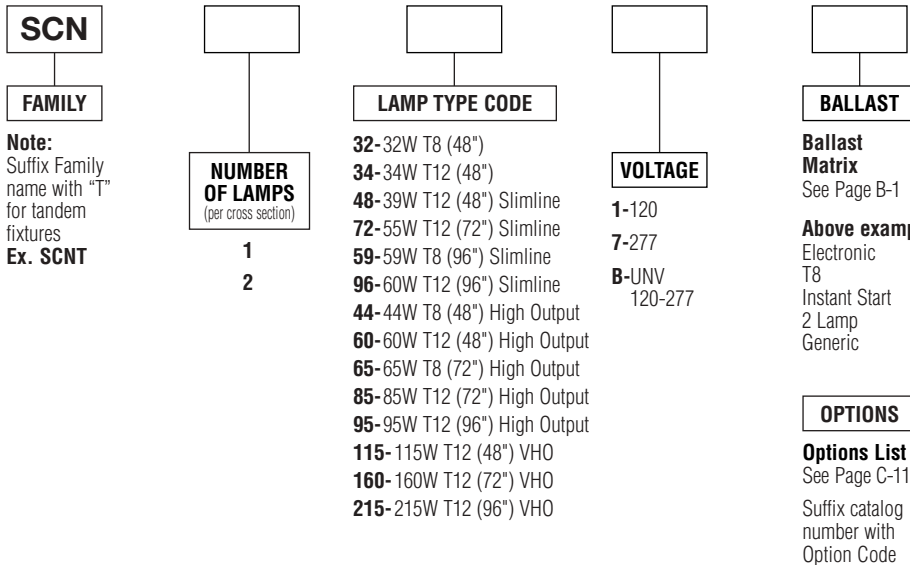


Premium Channel (SCN)



ORDERING INFORMATION

Catalog Number: Example: SCN2951B2Y



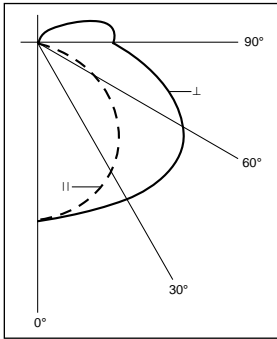
PRODUCT FEATURES

- Ends do not require tools for installation or maintenance.
- Combination end plate/coupler can be used for individual mounting or slides into position between two fixtures, assuring integrity of row alignment.
- Optional heavy-duty 10" sleeve couplers can provide additional bracing at fixture junctures.
- Symmetric and asymmetric reflectors are available for additional downlight and directional control.
- UL Damp Location labels are standard with this series.
- 1/4 turn fastener to lock ballast cover on housing.

PRODUCT AVAILABILITY

FAMILY	NOMINAL SIZE	NUMBER OF LAMPS (per cross section)	NUMBER OF LAMPS (per fixture)	LAMP TYPE CODE	LENGTH	WIDTH	HEIGHT
SCN	4'	2	2	32, 34	48"	4 1/8"	4 3/4"
		1	1	48			
		2	2	48			
		1	1	44, 60			
		2	2	44, 60			
		1	1	115			
		2	2	115			
SCN	6'	1	1	72	72"	4 1/8"	4 3/4"
		2	2	72			
		1	1	65, 85			
		2	2	65, 85			
		1	1	160			
		2	2	160			
SCN	8'	1	1	59, 96	96"	4 1/8"	4 3/4"
		2	2	59, 96			
		1	1	86, 95			
		2	2	86, 95			
		1	1	215			
		2	2	215			
SCNT	16'	1	2	59, 96	192"	4 1/8"	4 3/4"
		1	2	86, 95			
		1	2	215			

Two-Lamp Photometric Data



Coefficients of Utilization

Floor Cavity Reflectance 0.20

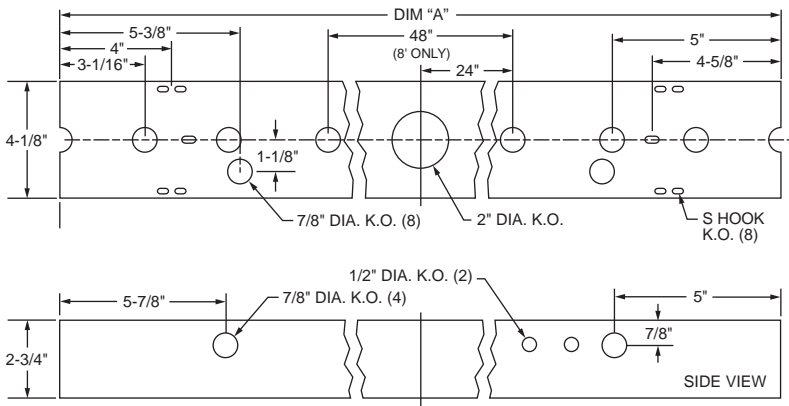
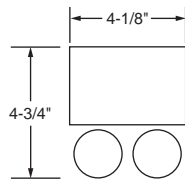
Room Cavity Ratio	RC RW	80%			50%			10%		
		50	30	10	50	30	10	50	30	10
1	87	84	80	78	75	72	65	63	62	
2	76	69	63	67	62	58	57	54	51	
3	66	59	52	58	52	48	49	45	42	
4	58	50	44	52	46	40	44	39	35	
5	50	43	37	45	38	34	39	34	30	
6	45	37	31	40	33	29	35	30	26	
7	40	32	26	36	29	24	31	26	22	
8	36	28	22	33	26	22	27	22	19	
9	32	24	19	29	22	18	25	20	16	
10	29	22	17	26	20	15	22	18	14	

SPECIFICATIONS

Housing is die-formed of cold-rolled steel. All metal components are phosphate coated and finished in baked white enamel providing a minimum reflectance factor of 85%. Quarter turn type channel covers can be removed without the use of tools. All fixtures include combination end plate/coupler. Units are equipped with high power factor Class "P" ETL-CBM ballasts (120 volt 60 Hz is standard). Fixtures are UL-listed and bear union and UL labels.

DIMENSIONS

All KOs are 7/8" dia. unless otherwise specified.



DIM "A"	
2' FIXTURE	(610mm) 24"
3' FIXTURE	(914mm) 36"
4' FIXTURE	(1219mm) 48"
6' FIXTURE	(1829mm) 72"
8' FIXTURE	(2438mm) 96"
16' FIXTURE	(4877mm) 192"

NOTE: Do not flush mount HO or PG (VHO) units. HO units should be suspended minimum 1-1/2" from surface. PG units should be suspended minimum 6" from surface.

Dimensions and specifications subject to change without notice.