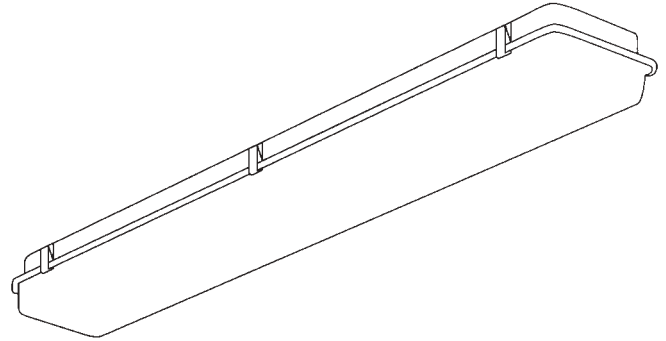
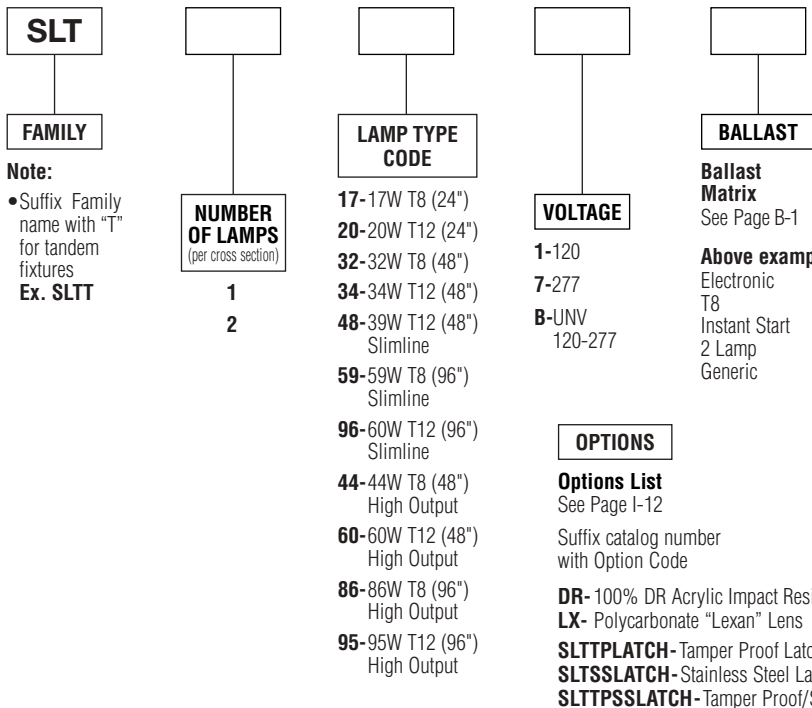


Fiberglass Sealtight (SLT)



ORDERING INFORMATION

Catalog Number: Example: SLT2321K2Y



Note:
• Suffix Family name with "T" for tandem fixtures
Ex. SLTT

- 17-17W T8 (24")
- 20-20W T12 (24")
- 32-32W T8 (48")
- 34-34W T12 (48")
- 48-39W T12 (48") Slimline
- 59-59W T8 (96") Slimline
- 96-60W T12 (96") Slimline
- 44-44W T8 (48") High Output
- 60-60W T12 (48") High Output
- 86-86W T8 (96") High Output
- 95-95W T12 (96") High Output

Ballast Matrix
See Page B-1

Above example:
Electronic T8
Instant Start
2 Lamp
Generic

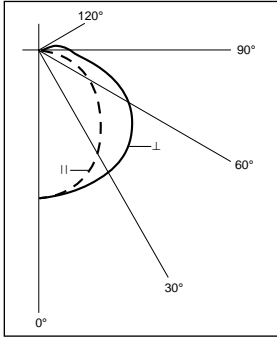
PRODUCT FEATURES

- One-piece fiberglass reinforced polyester housing is impact resistant, prevents rust and corrosion.
- Closed-cell neoprene gasketing bonded to housing provides protection against dust, dirt, moisture, and other foreign elements.
- Molded cam action latches tightly compress lens against gasketing, forming a continuous seal, while also allowing for ease of periodic maintenance.
- Fixture can be completely washed down and includes UL Wet Location label.
- External bras studs facilitate mounting.
- Standard latch count:
 - 2 ft. - 4 latches
 - 4 ft. - 6 latches
 - 8 ft. - 12 latches
- NSF Rated.
- IP65.

PRODUCT AVAILABILITY

FAMILY	NUMBER OF LAMPS (per cross section)	NUMBER OF LAMPS (per fixture)	LAMP TYPE CODE	LENGTH	WIDTH	HEIGHT
SLT	1	1	17, 20	25 13/16"	5 1/2"	5 7/8"
	2	2	17, 20			
SLT	1	1	32, 34	49 13/16"	6 7/8"	5 7/8"
	2	2	32, 34			
	2	2	48			
	2	2	44, 60			
SLT	2	2	59, 96	96 13/16"	6 7/8"	5 7/8"
	2	2	86, 95			
SLTT	1	2	32, 34	96 13/16"	6 7/8"	5 7/8"
	2	4	32, 34			

One-Lamp Photometric Data

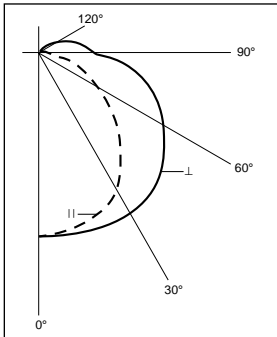


Coefficients of Utilization

Floor Cavity Reflectance 0.20

Room Cavity Ratio	RC RW	80%			50%			10%		
		50	30	10	50	30	10	50	30	10
1	77	72	69	69	66	63	60	58	57	
2	66	60	54	59	55	50	52	48	46	
3	57	51	44	51	46	42	45	41	38	
4	50	43	36	45	40	35	40	35	32	
5	44	37	31	40	34	29	35	31	27	
6	39	32	26	36	30	25	31	27	23	
7	35	28	22	32	26	21	28	24	20	
8	31	25	19	29	23	18	25	22	17	
9	28	22	16	26	20	16	23	20	15	
10	25	19	14	23	18	14	21	18	13	

Two-Lamp Photometric Data



Coefficients of Utilization

Floor Cavity Reflectance 0.20

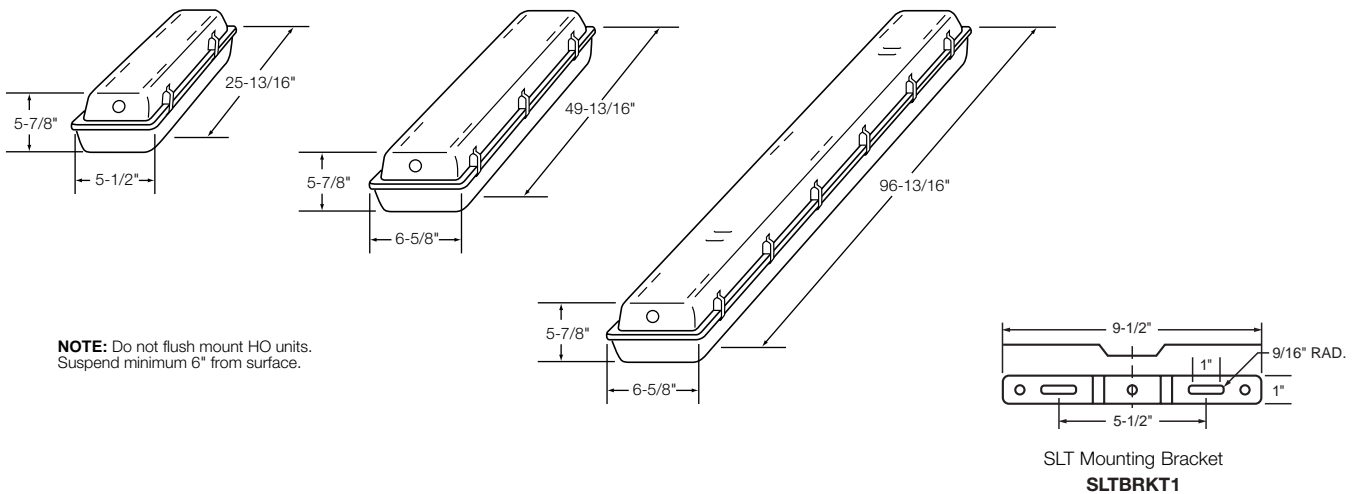
Room Cavity Ratio	RC RW	80%			50%			10%		
		50	30	10	50	30	10	50	30	10
1	69	65	62	62	60	57	54	53	51	
2	59	55	50	54	50	46	47	45	42	
3	51	46	41	47	43	38	41	39	36	
4	45	39	34	41	37	32	36	33	30	
5	40	34	29	37	32	27	32	29	26	
6	36	29	25	33	28	23	29	25	26	
7	32	25	21	29	24	20	26	22	19	
8	29	22	18	26	21	17	23	19	16	
9	26	19	16	23	18	15	21	17	14	
10	23	17	14	21	16	12	19	15	12	

SPECIFICATIONS

Housing is molded of one-piece impact resistant fiberglass reinforced polyester. Lens is smooth clear virgin acrylic with crepe pattern on the inner surface. Compressible closed-cell neoprene gasketing bonded to housing, forms a continuous seal. Lens is firmly clamped to fixture with six (4 ft. unit) or twelve (8 ft. unit) molded cam action tension latches. All inner metal surfaces are phosphate coated to prevent corrosion and finished in baked white enamel providing a minimum reflectance factor of 85%. All units are equipped with high power factor Class "P" ETL-CBM ballasts (120 volt 60 Hz is standard). Fixtures are UL-listed for enclosed and gasketed applications are bear union and Wet Location UL labels.

DIMENSIONS

All KOs are 7/8" dia. unless otherwise specified.



NOTE: Do not flush mount HO units. Suspend minimum 6" from surface.

Dimensions and specifications subject to change without notice.