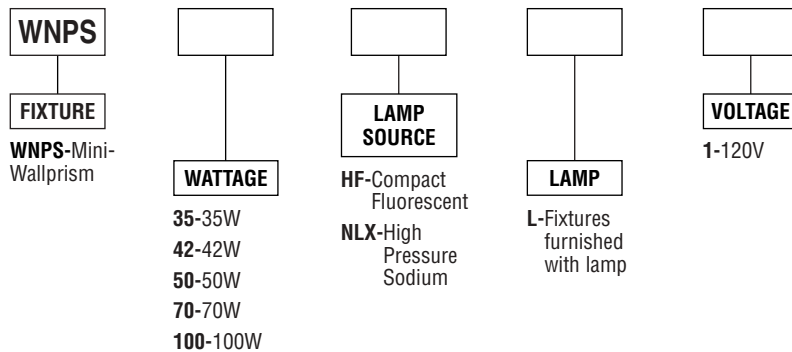


WNPS Series Mini-Wallprism



ORDERING INFORMATION

Catalog Number: Example: WNPS70NLXL-1



PRODUCT SPECIFICATIONS

- Stonco's Mini-Wallprism is ideal for security, accent, and perimeter lighting.
- Applications include entrance ways, garages, tunnels, over-passes, and alleys.
- Precision die-cast aluminum housing finished in Duraplex II bronze polyester.
- UV stabilized polycarbonate prismatic refractor.
- Highly specular anodized aluminum one piece reflector maximizes light utilization.
- Precision die cast aluminum mounting plate with cast-in knockouts for alignment with all standard recessed boxes.
- One-tapped holes (1/2" NPS) on each side and top for conduit or photocontrol, complete with closure plugs.
- Deluxe glazed porcelain socket pulse rated for 4KV.

ACCESSORIES

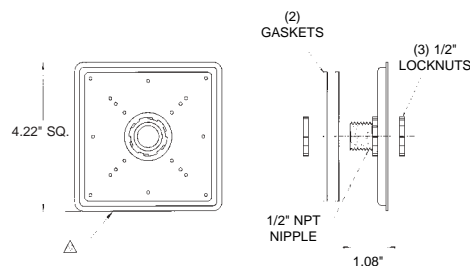
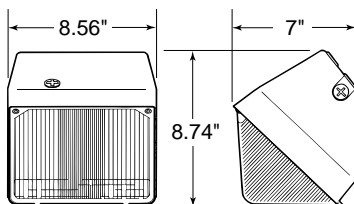
P110A-Pencil photocontrol for 120V

WNPS552-Replacement Lens

TECHNICAL INFORMATION

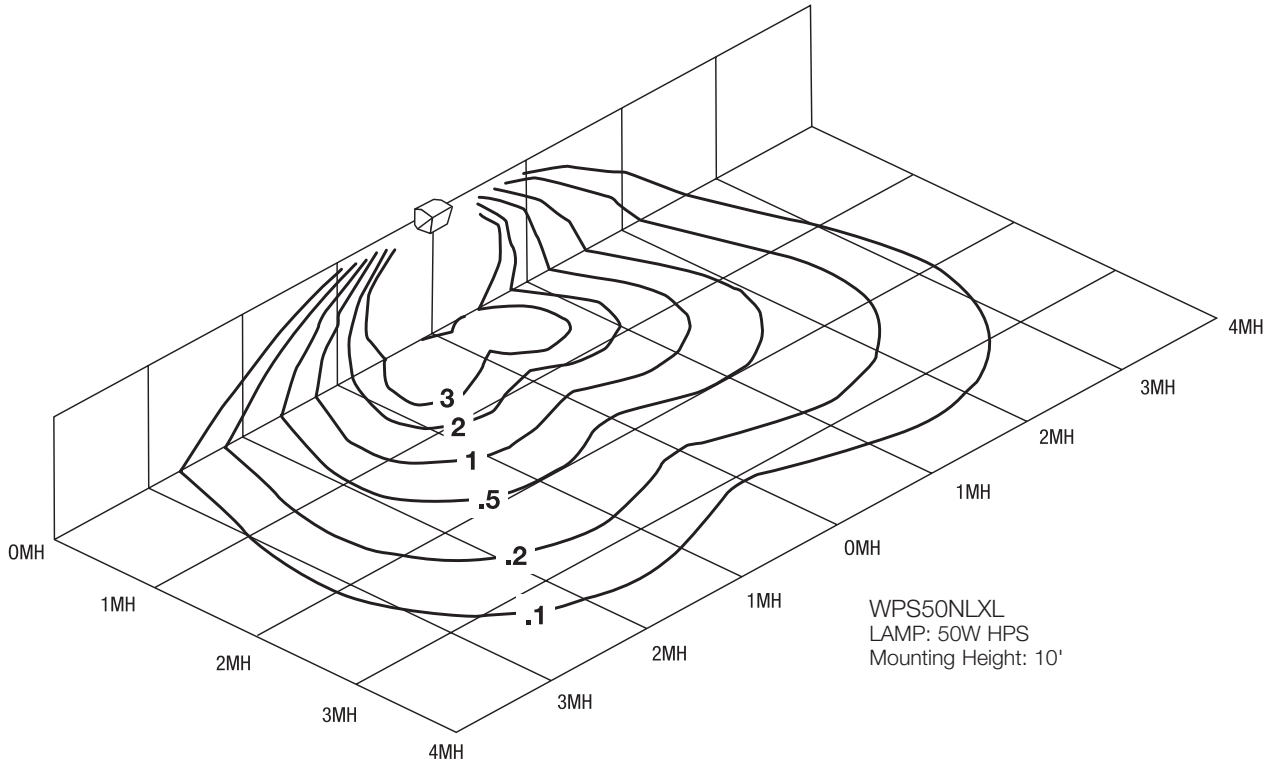
High Pressure Sodium WNPS units are complete with medium base lamps. Normal power factor reactor ballasts for 120V input. E17/B17 medium base lamp supplied with fixture.

NOTE: The 42 watt compact fluorescent is supplied with a high power factor, voltage sensing electronic ballast for 120 through 277 volt 50 or 60 hertz. Although the product is supplied with a 42 watt PLT lamp, the ballast will also drive 26 or 32 watt PLT lamps.



UL Wet Location Listed.

PHOTOMETRICS



FOOTCANDLE CORRECTION

Different Lamps/Watts

Multiply the following factors times the footcandle values for changes in mounting height.

35W HPS	.40
50W HPS	.70
70W HPS	1.00
101W HPS	1.63

Different Mounting Height

Multiply the following factors times the footcandle values for changes in mounting height.

To Change from 10'

New Height	8'	10'	12'	15'	20'	25'
Factor	1.56	1.0	.69	.44	.25	.16

To Change from 15'

New Height	10'	12'	15'	20'	25'	28'
Factor	2.25	1.56	1.00	.56	.36	.28

SUGGESTED SPECIFICATIONS

Fixture shall be outdoor weather-resistant area lighter. Housing shall be die-cast weather-resistant aluminum with asymmetric anodized aluminum reflector with one-piece UV stabilized polycarbonate refractor with outside prismatic surfaces.

Fixture profile shall be a sharply defined rectangle 8.56" x 7" x 8.74" for 35W to 100W units, with no external ballast hous-

ing or other design elements to disturb precise architectural appearance.

All HPS fixtures equipped with Normal Power Factor Reactor (NPF) ballasts for 120V.

All compact fluorescent units shipped with 42 watt PLT lamps.

Fixture housing finished in architectural dark bronze Duraplex II™ polyester powder.

Fixture shall be equipped with deluxe glazed porcelain lamp socket with nickel-plated "lamp grip" screw base and spring-loaded center contact for positive fit.

Fixture refractor shall be held captive by two hex head bolts for tamper-resistant construction.

Fixture shall be Stonco Cat. No. (specify).