

# WPM Series Wallprism

**QUICK SHIP NUMBERS**  
 WNPM101MAL-6  
 WNPM151NLXL-1  
 WNPM175MA-8



## ORDERING INFORMATION

Catalog Number: Example: WPM101MALFS-1

<b>WPM</b>					
<b>FIXTURE</b>		<b>LAMP SOURCE</b>		<b>OPTION</b>	
WPM-Wallprism  (WNPM is for quick ship items listed above only.)	<b>WATTAGE</b> 18-18W* 70-70W mogul 71-70W medium 100-100W mogul 101-100W medium 150-150W mogul 151-150W medium 175-175W** 300-<300***	<b>MA-Metal Halide****</b> <b>LX-High Pressure Sodium (HX-HPF)</b> <b>NLX-High Pressure Sodium (NPF)*****</b> <b>SX-Low Pressure Sodium (HPF)</b> <b>Incandescent-order without suffix</b>	<b>LAMP</b> L-All HID medium base units furnished with lamp. Mogul base fixtures Incandescent and Low Pressure Sodium not furnished with lamp	<b>FS-Single fusing</b> 120V 277V <b>FFS-Double fusing</b> 208V 240V 480V <b>HS-Horizontal socket</b> <b>TP-Tamper-proof construction</b>	<b>VOLTAGE</b> 1-120V***** 2-208V 3-240V 4-277V 5-480V 8-120V 208V 240V 277V

\*18W Available in Low Pressure Sodium only. \*\*175W Available in Metal Halide mogul only. For medium base lamp order 176. \*\*\*<300 Available in Incandescent only. \*\*\*\*70W and 100W are HX-HPF, 150W and 175W are CWA. \*\*\*\*\* High Power factor available with 120V only, 101 and 151 High Pressure Sodium. \*\*\*\*\*101-100W HPS and 151-150W HPS available in 120V only.

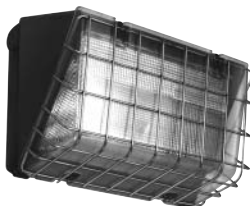
## ACCESSORIES

- P110A**-Pencil photocontrol for 120V.
- P150M**-Light leveler photocontrol for 208V-277V.
- 330S**-Stainless steel wire guard.

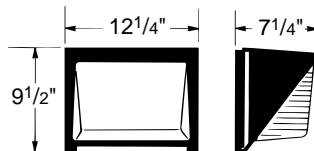
- 335S**-Clear polycarbonate shield for added protection.
- 32352**-Replacement glass, gasket, hardware, door lens kit.

## TECHNICAL INFORMATION

WPM fixtures require a clear, medium or mogul base horizontal burning lamp. Metal Halide units use ED17, except 175W mogul base is BT28. High Pressure Sodium medium base use B17 (100W HPS uses E17). Mogul base High Pressure Sodium use E23-1/2. Low Pressure Sodium use pre-focus T17, not supplied. Incandescent fixtures use medium A/PS, not supplied. Fixture is not suitable for use in carwashes or other areas that may entrap heat. Fixtures to be wall mounted only.



WPM with 330S Guard and 335S Shield



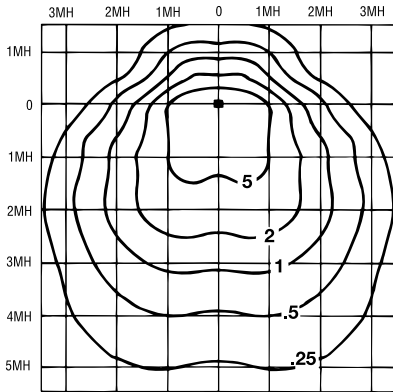
## PRODUCT SPECIFICATIONS

- Stonco's patented Wallprism is ideal for security, accent, and perimeter lighting. Applications include entrance ways, garages, tunnels, overpasses, and alleys.
- Patented catadioptric refractor redirects light to minimize glare, aligns optical center of lens and lamp for symmetrical light distribution.
- Heat and shock resistant borosilicate glass refractor, bonded to lens frame.
- Stainless steel aircraft cable safety retains lens frame to back plate freeing both hands for servicing.
- Integral cast-in aluminum hinges permit complete removal of lens frame assembly without tools.
- Precision die-cast aluminum, Duraplex II bronze finish, back plate with cast-in knockouts for alignment with all standard recessed boxes.
- One-tapped holes (1/2" NPS) on each side and top for conduit or photocontrol, complete with closure plugs.
- Deluxe glazed porcelain socket pulse rated for 4KV.

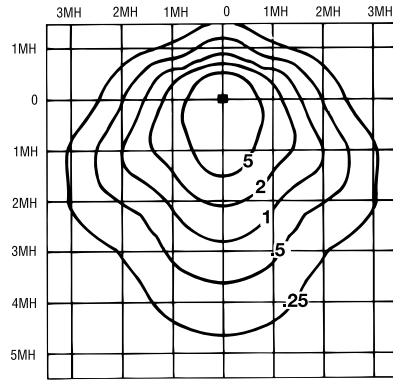


UL Wet Location Listed.  
 UL File Number: E86021

## PHOTOMETRICS



**WNPM151NLXL**  
 LUMINAIRE: Cast Metal housing, specular reflector, clear prismatic glass lens, lamp in highest position.  
 LAMP: 150W Clear HPS  
 LUMENS: 16,000  
 MOUNTING HGT: 10'



**WNPM175MA**  
 LUMINAIRE: Cast Metal housing, specular reflector, clear prismatic glass lens, lamp in middle position.  
 LAMP: 150W Coated MA  
 LUMENS: 12,000  
 MOUNTING HGT: 10'

### FOOTCANDLE CORRECTION

#### Different Lamps/Watts

Multiply the following factors times the footcandle values for changes in mounting height.

70W HPS	.36
100W HPS	.59
150W HPS	1.0

### Different Mounting Height

Multiply the following factors times the footcandle values for changes in mounting height.

#### To Change from 10'

New Height	8'	10'	12'	14'	16'	18'	20'
Factor	1.56	1.00	.83	.51	.39	.30	.25

## SUGGESTED SPECIFICATIONS

Fixture shall be all die-cast weatherproof aluminum with specular anodized aluminum reflector and one-piece borosilicate refractor with outside and inside prismatic surfaces.

Fixture profile shall be a sharply defined

12" x 9" rectangle with no external ballast housing or other design element to disturb precise architectural appearance. All external aluminum surfaces shall be finished with architectural dark bronze Duraplex II™ polyester powder.

Fixture shall be able to accept wire guard and/or Lexan® shield for field installation and fixture shall have a variable position socket for field-adjustable beam angle.

Fixture shall be UL-listed and shall be Stonco Cat. No. (specify).